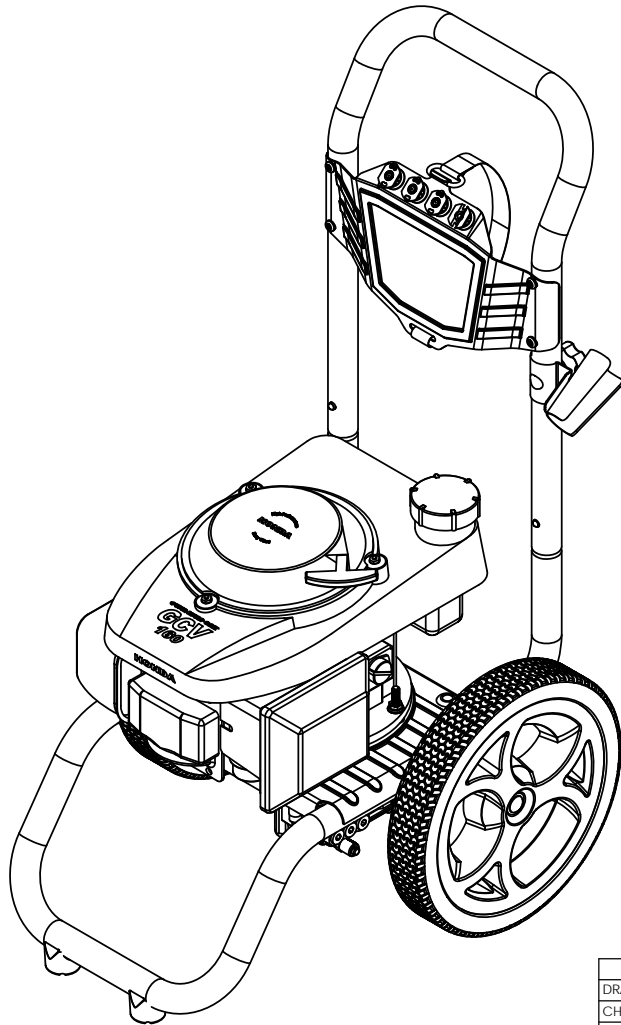
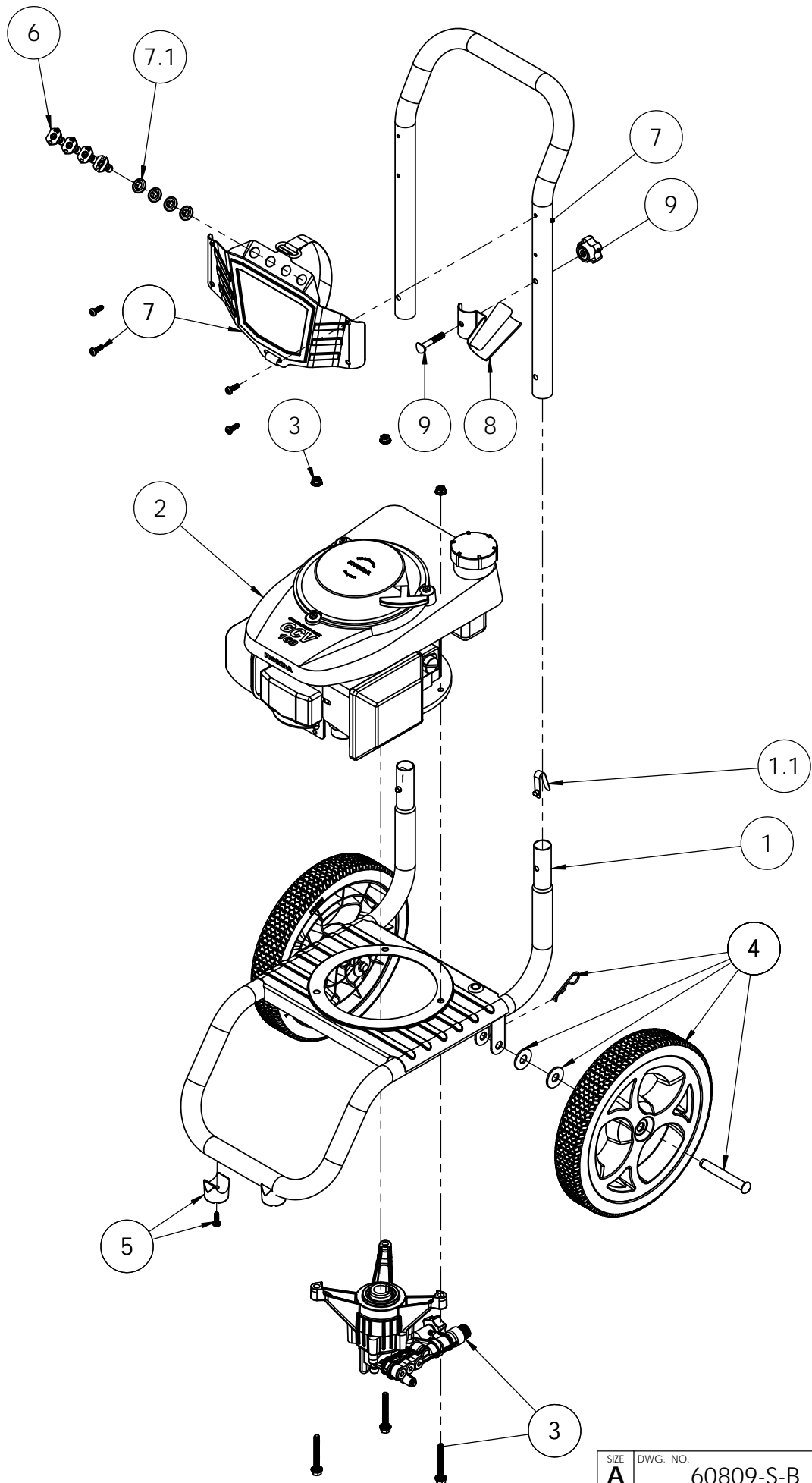


ITEM	PART NO	QTY.	DESCRIPTION
1	7109089	1	FRAME BASE KIT W/LABELS
1.1	7102122	2	BUTTON, SNAP
2	7106479	1	ENGINE, SVC KIT ASSY, GCV160 W/KEY, LABELS
3	7109614	1	PUMP, SVC ASSY 510020
4	7109090	2	WHEEL KIT, AXLE, WHEEL, WASHER, CLIP
5	7105468	2	FOOT, SVC KIT FITTED RUBBER AND SCREW
6	7108546	1	NOZZLE, 4 PC 1PCSS 1/4QC 0,15,40,&PSOAP
7	7110943	1	HANDLE SVC ASSY, 60809
7.1	7106833	4	HOLDER, NOZZLE SINGLE
8	7110599	1	STEEL GUN HOLDER, FLAT BLACK, 1.25" OD TUBE
9	7107941	1	KNOB-BOLT ASSEMBLY



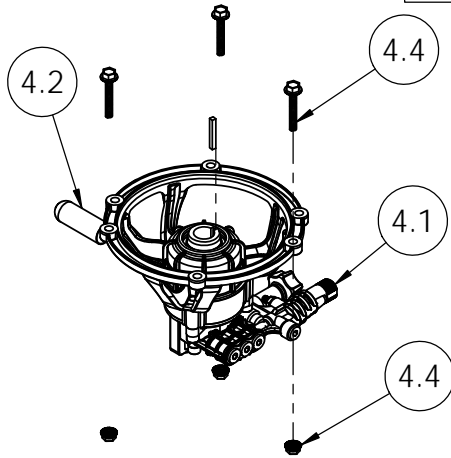
NAME			DATE		
DRAWN	JHS	OCT 2017	<b>FNA-GROUP</b> 1265 INDUSTRIAL STREET, DECATUR, AR 72722 TITLE:  <b>MS60809 3000PSI @  2.4GPM</b>		
CHECKED	DH/OSW	OCT 2017			
ENG APPR.	OSW	OCT 2017			
MFG APPR.	-	-			
Q.A. APPR.	-	-			
SERVICE APPR.	DH	OCT 2017	SIZE	DWG. NO.	REV.
<b>PROPRIETARY AND CONFIDENTIAL</b> THE INFORMATION CONTAINED IN THIS DRAWING IS THE SOLE PROPERTY OF FNA-GROUP. ANY REPRODUCTION IN PART OR AS A WHOLE WITHOUT THE WRITTEN PERMISSION OF FNA-GROUP IS PROHIBITED.			<b>A</b>	<b>60809-S-B</b>	<b>C</b>
			SCALE: N/A	ECN # EC180120	SHEET 1 OF 3



SIZE	DWG. NO.	REV.
<b>A</b>	<b>60809-S-B</b>	<b>C</b>
SCALE: N/A	ECN # EC180120	SHEET 2 OF 3

ITEM NO.	PART NO	DESCRIPTION	QTY.
4	7108394	PUMP, SVC ASSY 510015	1
4.1	510015	PUMP, 510015 VERTICAL AXIAL	1
t 4.2		CAP, UNLOADER COVER 1 1/2" x 5/8" BLACK	1
4.3	7101506	KEY, SHAFT 3/16 X 3/16 X 1-1/2	1
4.4	7103776	ENGINE MOUNT HARDWARE KIT	1

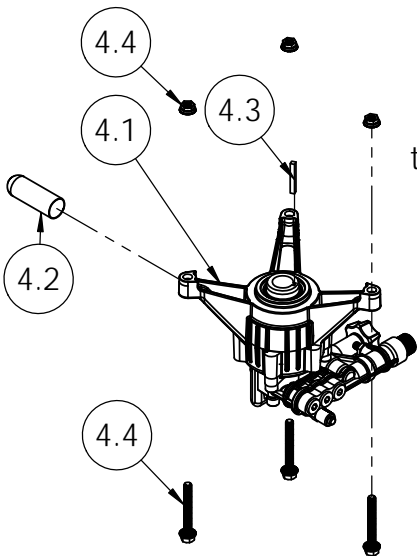
t NOT SOLD SEPARATELY



510015 PUMP SERVICE ASSY  
P/N 7108394  
S/N 0000000000-01171800446

ITEM NO.	PART NO	DESCRIPTION	QTY.
4	90026	PUMP, SVC ASSY 510020	1
4.1	510020	PUMP, 510020 VERTICAL AXIAL	1
t 4.2		CAP, UNLOADER COVER 1 1/2" x 5/8" BLACK	1
4.3	7101506	KEY, SHAFT 3/16 X 3/16 X 1-1/2	1
4.4	7109580	HARDWARE KIT, ENGINE/PUMP MOUNT	1

t NOT SOLD SEPARATELY



510020 PUMP SERVICE ASSY  
P/N 90026  
S/N 01171800447-PRESENT

ITEM NO.	PART NO	DESCRIPTION	QTY.
8	7107956	GUN, OEM FRONT ENTRY, OF341 3400 PSI W/DNW	1
9	7103550	LANCE, 16" W/ 1/4 QC AND M22(M)	1
* 10	7102045	TOOL, NOZZLE CLEANING, UNIVERSAL	1
11	7108160	HOSE, MORFLEX 1/4" x 25' x 3100PSI M22 x M22	1
12	7102207	KIT, SVC ASSY SOAP HOSE W/PLASTIC FILTER	1

\* NOT SHOWN

